

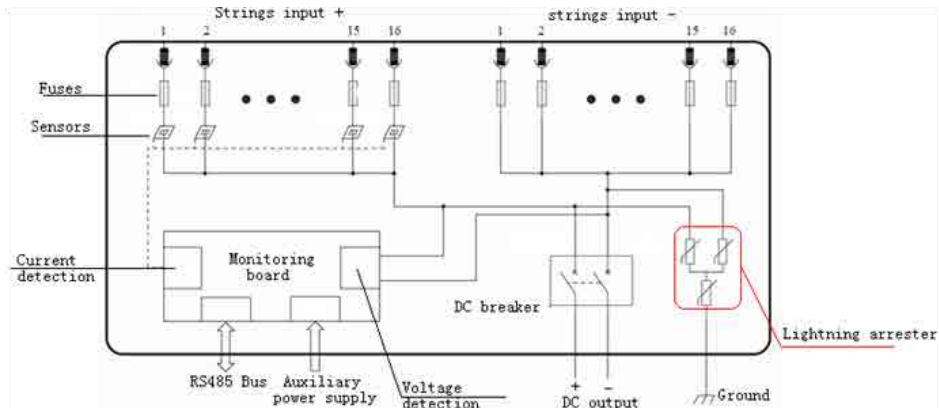
Integrated String Combiner Box



In order to reduce the wire connections between PV arrays and inverters, and for better maintenance and reliability of PV power generation system, a confluence device is usually needed. Based on years of design experiences, Clenergy developed ISCB series string combiner box. ISCB series string combiner box collects the multiple DC outputs from solar panels. With this advantage, the front connections in inverters are greatly reduced. In addition, ISCB is able to enhance the efficiency, safety and reliability of the system by monitoring status of components' output and providing system protection and fault alarm. By working with Clenergy grid connected inverters, the PV power generation system solution is completed and perfected.

Characteristics:

- ◆ Connect up to 16 strings of PV arrays at the same time
- ◆ Up to 1000V_{DC} input voltage and maximum DC input current is 15A
- ◆ Each channel has a high precision sensor which detects input voltage and input current
- ◆ With high voltage fuse for PV system
- ◆ 100~1000V_{DC} and 85~264V_{AC} power supply optional
- ◆ Reverse current detection and SPD status detection
- ◆ Alarm for over-current, over-voltage, imbalance of current and SPD invalid
- ◆ Show the current, output voltage, address and the baud rate, easy to check
- ◆ RS485 interface, suit for remote data transmission
- ◆ Easy to set up the threshold value of over-current, over-voltage, imbalance of current and the baud rate
- ◆ Users can choose the configuration (Fuse, DC switch, Lightning arrester)
- ◆ Multiple power supply mode
- ◆ IP65 metal enclosure for outdoor installation
- ◆ Compact structure to occupy smaller space, easy to install



Specification

(Model: ISCBxy-z

Model description ISCB: Integrated String Combiner Box

x: the maximum input strings: 8/10/12/16,

y: with monitoring function, M is yes, blank is not.

z: type of power supply ,PV: PV power supply ; AC: AC power supply)

Model	ISCB8M-XX	ISCB8
Input		
Rated input voltage range	200-850VDC	
Max. Input voltage	1000VDC	
Rated DC current range for each channel:	0-12A	
Max. DC Current for Each Channel	15A	
Input Terminal	MB12-08	
DC Fuse		
Number of Fuse per String	1	
Number of the Fuse	8(per pole)	
DC.Over-Voltage alarm	Yes	No
DC.Over-Current Protection	Yes	
Output		
Rated Output Current	96A	
Output Terminal	MB25-18	
Grounding Terminal	MB16-10	

Communication and Mechanical		
Communication	RS485	No
Power Supply	100~1000VDC、 85~264VAC Optional	No
Fault Alarm	Yes	No
Operating Temperature	-30 ℃ ~+55 ℃	
Relativity Humidity	0~95%, non-condensing	
Protection Degree	IP65	
Size(H×W×D)	550×600×199mm	
Weight(Kg)	21.5	21
Certification	TUV, CQC Certification	

Model	ISCB10M-XX	ISCB10
Input		
Rated input voltage range	200-850VDC	
Max. Input voltage	1000VDC	
Rated DC current range for each channel:	0-12A	
Max. DC Current for Each Channel	15A	
Input Terminal	MB12-08	
DC Fuse		
Number of Fuse per String	1	
Number of the Fuse	10(per pole)	
DC.Over-Voltage alarm	Yes	No
DC.Over-Current Protection	Yes	
Output		
Rated Output Current	120A	
Output Terminal	MB25-18	
Grounding Terminal	MB16-10	
Communication and Mechanical		
Communication	RS485	No
Power Supply	100~1000VDC、 85~264VAC Optional	No
Fault Alarm	Yes	No

Operating Temperature	-30℃ ~+55℃	
Relativity Humidity	0~95%, non-condensing	
Protection Degree	IP65	
Size(H×W×D)	550×600×199mm	
Weight(Kg)	22	21.5
Certification	TUV, CQC Certification	

Model	ISCB12M-XX	ISCB12
Input		
Rated input voltage range	200-850VDC	
Max. Input voltage	1000VDC	
Rated DC current range for each channel:	0-12A	
Max. DC Current for Each Channel	15A	
Input Terminal	MB12-08	
DC Fuse		
Number of Fuse per String	1	
Number of the Fuse	12(per pole)	
DC.Over-Voltage alarm	Yes	No
DC.Over-Current Protection	Yes	
Output		
Rated Output Current	144A	
Output Terminal	MB25-18	
Grounding Terminal	MB16-10	
Communication and Mechanical		
Communication	RS485	No
Power Supply	100~1000VDC、 85~264VAC Optional	No
Fault Alarm	Yes	No
Operating Temperature	-30℃ ~+55℃	
Relativity Humidity	0~95%, non-condensing	
Protection Degree	IP65	

Size(H×W×D)	550×600×199mm	
Weight(Kg)	22.5	22
Certification	TUV, CQC Certification	

Model	ISCB16M-XX	ISCB16
Input		
Rated input voltage range	200-850VDC	
Max. Input voltage	1000VDC	
Rated DC current range for each channel:	0-12A	
Max. DC Current for Each Channel	15A	
Input Terminal	MB12-08	
DC Fuse		
Number of Fuse per String	1	
Number of the Fuse	16(per pole)	
DC.Over-Voltage alarm	Yes	No
DC.Over-Current Protection	Yes	
Output		
Rated Output Current	192A	
Output Terminal	MB25-18	
Grounding Terminal	MB16-10	
Communication and Mechanical		
Communication	RS485	No
Power Supply	100~1000VDC、 85~264VAC Optional	No
Fault Alarm	Yes	No
Operating Temperature	-30℃ ~+55℃	
Relativity Humidity	0~95%, non-condensing	
Protection Degree	IP65	
Size(H×W×D)	550×600×199mm	
Weight(Kg)	23.5	23
Certification	TUV, CQC Certification	

N.B.: Technical parameters and independent of the configuration